



Electric trolley

Type		WPC				
Capacity	t	0.5	1	2	3	5
Speed 50Hz	m/min	11/21	11/21	11/21	11/21	11/21
Motor	kw	0.4	0.4	0.4	0.75	0.75
Min. turning radius	m	0.8	0.8	0.8	1.0	1.8
I-Beam	mm	52-153	52-153	82-178	100-178	100-178



Electric trolley

Type		CC-A			
Capacity	t	1	2	3	5
Running speed of trolley	m/min	20	20	15	15
I-type steel for trolley	mm	74-124	74-124	102-152	102-152
Motor power	w	200	300	400	400
Voltage	v	380	380	380	380
Current of full load	a	1.1	1.3	1.8	1.8
Control Switch Voltage	v	24	24	24	24
Net weight	kg	34	35	68	70

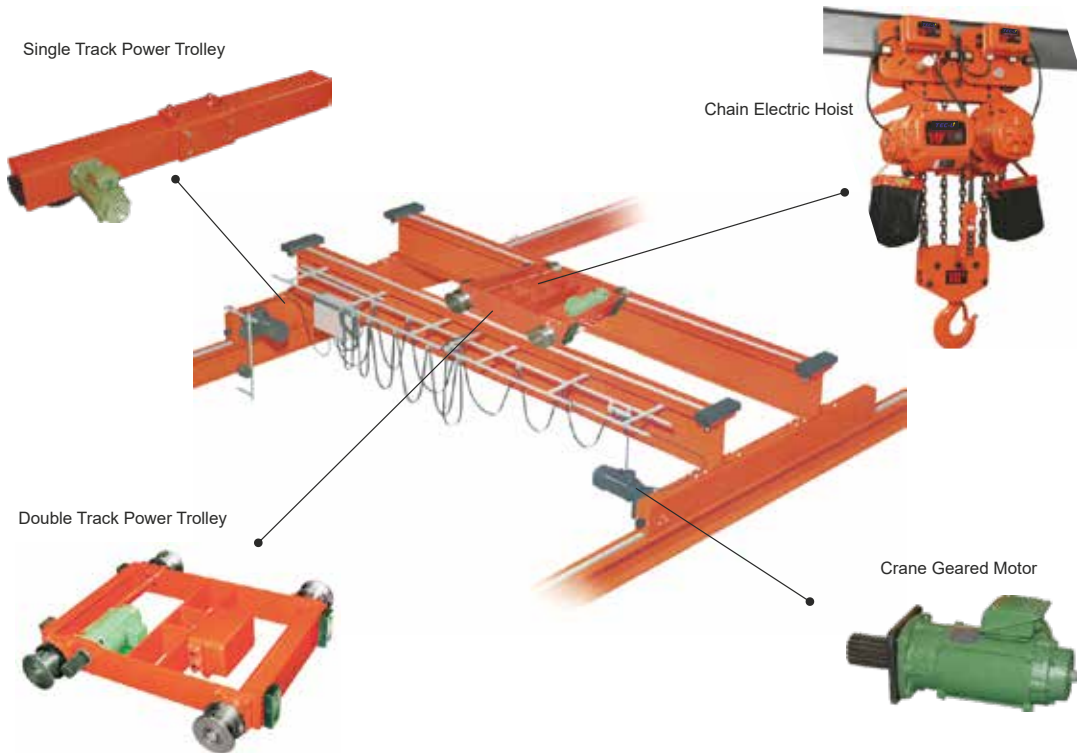
Option: double traveling speed is available.



Electric trolley

Model	Rated Loading Weight(T)	Moving Speed (mm)	Motor Power (W)	Working Regulations JC%	G.W./N.W	Min radius of crooked track which can pass	Model of steel beam	Weight (kg)
HD,0.5	0.5	20	60	25	30/28	1	64-150	12
HD,1	1	20	80	25	25/23	1	64-180	16

The total structure diagram

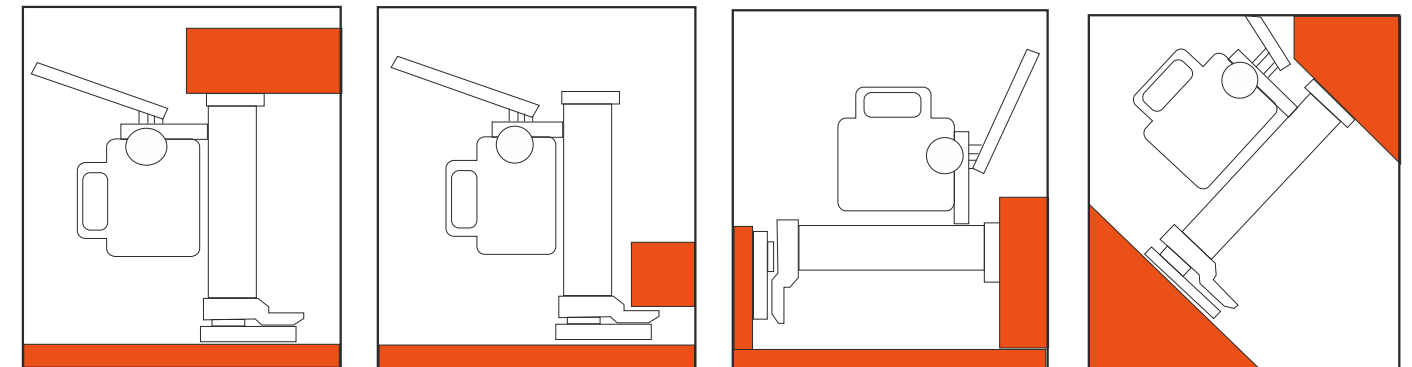


CHAPTER JACKS SERIES



Model:HM

- Compact and stable construction
- Can be used in any position
- Housing revolves 360 degrees
- Lowering speed can be accurately adjusted
- Protected against overloading
- Pump lever is removeable
- Meet ANS/SAME & CE/GS



Model	HM50	HM100	HM250
Capacity (t)	5	10	25
Lifting range of foot (mm)	25-230	30-260	58-273
Lifting range of head (mm)	368-573	420-650	505-720
Max. lever force(kg)	38	40	40
Net weight (kg)	25	35	102